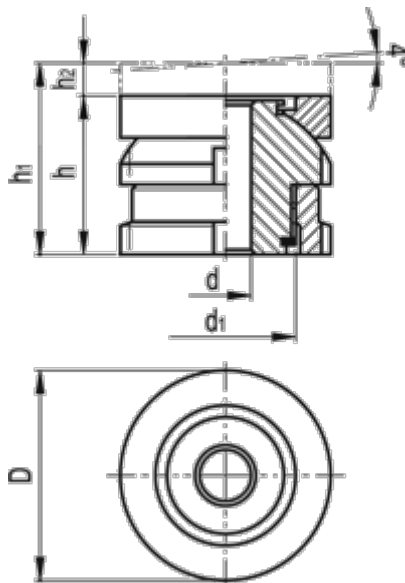


Article number: 203502321126ST

Description: E+G Levelling sets GN 350.2-32-11-26-ST

## Measures



C-spanner DIN 1810 = A30-32

$d$  = 11

$D$  = 32

$d_1$  = M20x1

For screw = M10

$h$  = 26

$h_1$  = 31

$h_2$  = 5

Max static load (kN) = 43.4

Static preload (kN) = 23.41

Weight (g) = 120